

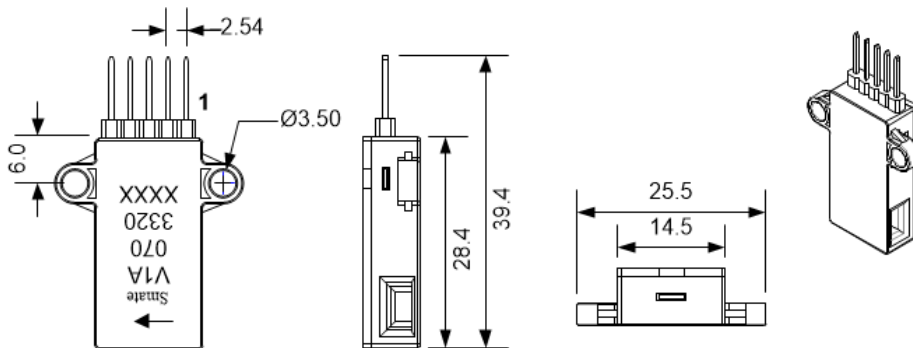
# PRELIMINARY

Test Conditions: 5V (analog), Ta=25°C. Relative Humidity: 40%<RH<60%

Parameters	Min	Typ	Max	Unit
Supply Voltage <sup>1</sup>	2.75	5	5.5	V
Supply Current		17	21	mA
Range of Flow Rate <sup>2</sup>	0		7	m/s
Output - Analog	0.5 to 4.5 @5V			V
Accuracy	5%FS A(analog) or 5% of reading + 0.1 m/s (digital)			
Relative Humidity <sup>3</sup>	5		95	%
Response Time		5	15	ms
Temperature - Reference <sup>4</sup>		25		°C
Temperature - Operating <sup>4</sup>	- 5		+85	°C
Temperature - Storage	-40		105	°C
Wetted Materials	Silicon carbide, epoxy, PPE+PS, FR4			
Weight	4			g

## Notes:

1. Other supply is also available upon request.
2. 30 sccm to 4000 sccm; Mass flow emulation.
3. Non-condensing
4. Lower operating temperature is possible with individual evaluation. Thermal error is 0.2%FS/100 °C which is design parameter.



Unit: mm

Pin #	Description
1	V <sub>DD</sub>
2	V <sub>SS</sub>
3	Output
4	N.C.
5	N.C.