

# Characteristics

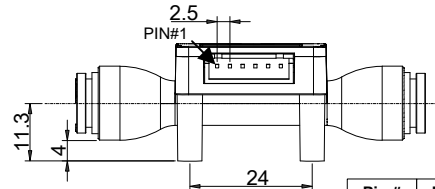
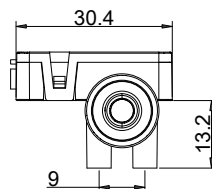
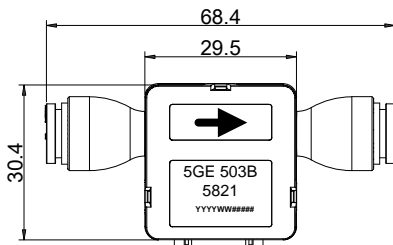
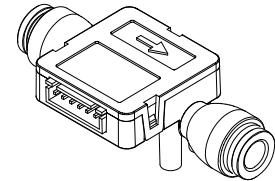
PRELIMINARY

Test Conditions: 12±0.01 V, Ta=25°C. Relative Humidity: 40%<RH<60%

Parameters	Min	Typ	Max	Unit
Range of Flow Rate <sup>1</sup>	-50		+50	LPM <sup>1</sup>
Output - Zero		256		Decimal Counts
Output - Full-Scale Flow		16124		Decimal Counts
Output Limit		16383		Decimal Counts
Accuracy <sup>2</sup>		4		%FS
Temperature Error		0.15		% of measured value/°C
Repeatability		0.2		%FS
Long-term Stability <sup>3</sup>		0.5		%F.S.
Response Time		1		ms
Warm-up		100		ms
Temperature - Operating	5		50	°C
Temperature - Storage	-40		60	°C
Supply Voltage <sup>4</sup>	8		14	V
Supply Current@12V	22		23	mA
Wetted Materials	Silicon carbide,epoxy ,PPE+PS,FR4 & gold			

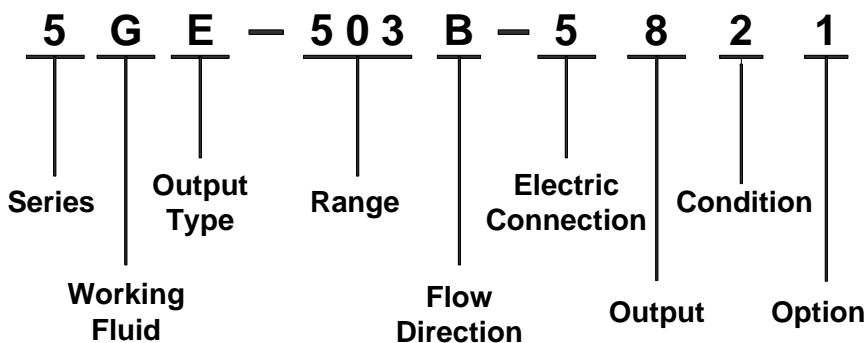
## Notes:

1. The flow range calibrated at factory.
2. At 25 °C. Standard conditions: 0 °C and 1 atmosphere
3. 1000 hrs, 25°C, zero flow
4. Bus voltage is 3.3V. 5V supply is also available upon request.
5. Communication via standard I<sup>2</sup>C, pull-up to bus voltage at SCL and SDA are required.
6. Default address: 50 (hexadecimal)



Pin #	Description
1	SCL
2	SDA
3	GND
4	VDD
5	Null
6	Null

## Ordering Information



5	Series
G	Gas, air
E	Digital/14bit
503	50 LPM
B	bi-directional
5	Connector
8	IIC
2	20° C
1	PMF500X

## Additional Products

- Pressure Transducers
- Pressure Meters